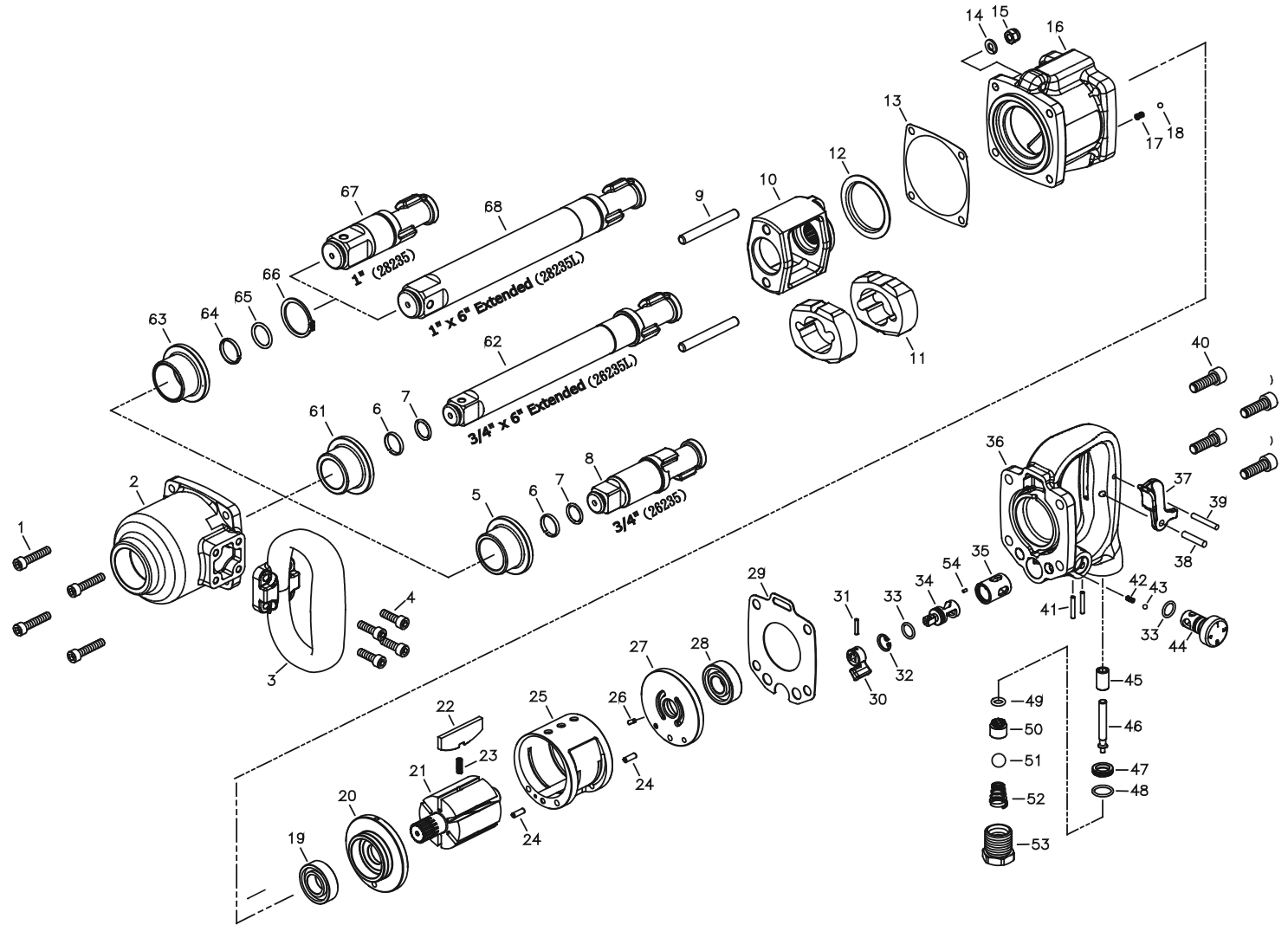


Technical Details	Speed RPM	Square Drive	Max. Torque Nm/ft-lb	Length mm/inch	Weight kg/lb	Air Consumption LPM / CFM	Air Inlet inch	Working Pressure Bar / PSI
26235 26235L	7,500	3/4	1,898 (1,400)	286.5 (11.3)	4.5 (9.9)	160 (5.6)	3/8	6.3(90)
28235 28235L	7,500	1	2,034 (1,500)	288 (11.4)	4.6 (10)	160 (5.6)	3/8	6.3(90)



* Due to our continuous improvement, all specifications are subject to change without prior notice.

Index No.	Description	Quantity	Index No.	Description	Quantity	Index No.	Description	Quantity
1	Screw	4	22	Rotor Blade	6	43	Steel Ball	1
2	Hammer Case	1	23	Spring	6	44	Air Regulator	1
3	Side Spade Handle	1	24	Spring Pin	2	45	Bushing	1
4	Screw	4	25	Cylinder	1	46	Valve Tappet	1
5	3/4" Anvil Bushing (for 26235)	1	26	Spring Pin	1	47	Throttle Bushing	1
6	Socket Retainer (for 26235/L)	1	27	Rear End Plate	1	48	O-Ring	1
7	O-Ring (for 26235/L)	1	28	Ball Bearing	1	49	O-Ring	1
8	3/4" Anvil (for 26235)	1	29	Gasket	1	50	Valve Stem	1
9	Hammer Pin	2	30	Reverse Valve	1	51	Nylon Ball	1
10	Hammer Cage	1	31	Spring Pin	1	52	Spring	1
11	Hammer Dog	2	32	Snap Ring	1	53	House Fitting	1
12	Hammer Washer	1	33	O-Ring	2	54	Pin	1
13	Gasket	1	34	Reverse Valve	1	61	3/4" Ext. Anvil Bushing (for 26235L)	1
14	Spring Washer	4	35	Bushing	1	62	3/4" Ext. Anvil (for 26235L)	1
15	Lock Nut	4	36	Back Head	1	63	1" Anvil Bushing (for 28235/L)	1
16	Motor Housing	1	37	Inside Triqquer	1	64	Socket Retainer (for 28235/L)	1
17	Spring	1	38	Pin	1	65	O-Ring (for 28235/L)	1
18	Steel Ball	1	39	Pin	1	66	Retaining Ring (for 28235/L)	1
19	Ball Bearing	1	40	Screw	4	67	1" Anvil (for 28235)	1
20	Front End Plate	1	41	Spring Pin	2	68	1" Ext. Anvil (for 28235L)	1
21	Rotor	1	42	Spring	1			

* Parts #8 or 62 needs to be assembled along with #6 & #7 (#6 & #7 can be individual purchasing)

* Parts #67 or 68 needs to be assembled along with #64, #65 & #66 (#64, #65 & #66 can be individual purchasing)

* Parts #2 needs to be assembled along with #5, #61 or #63 (#5, #61 & #63 can be individual purchasing)