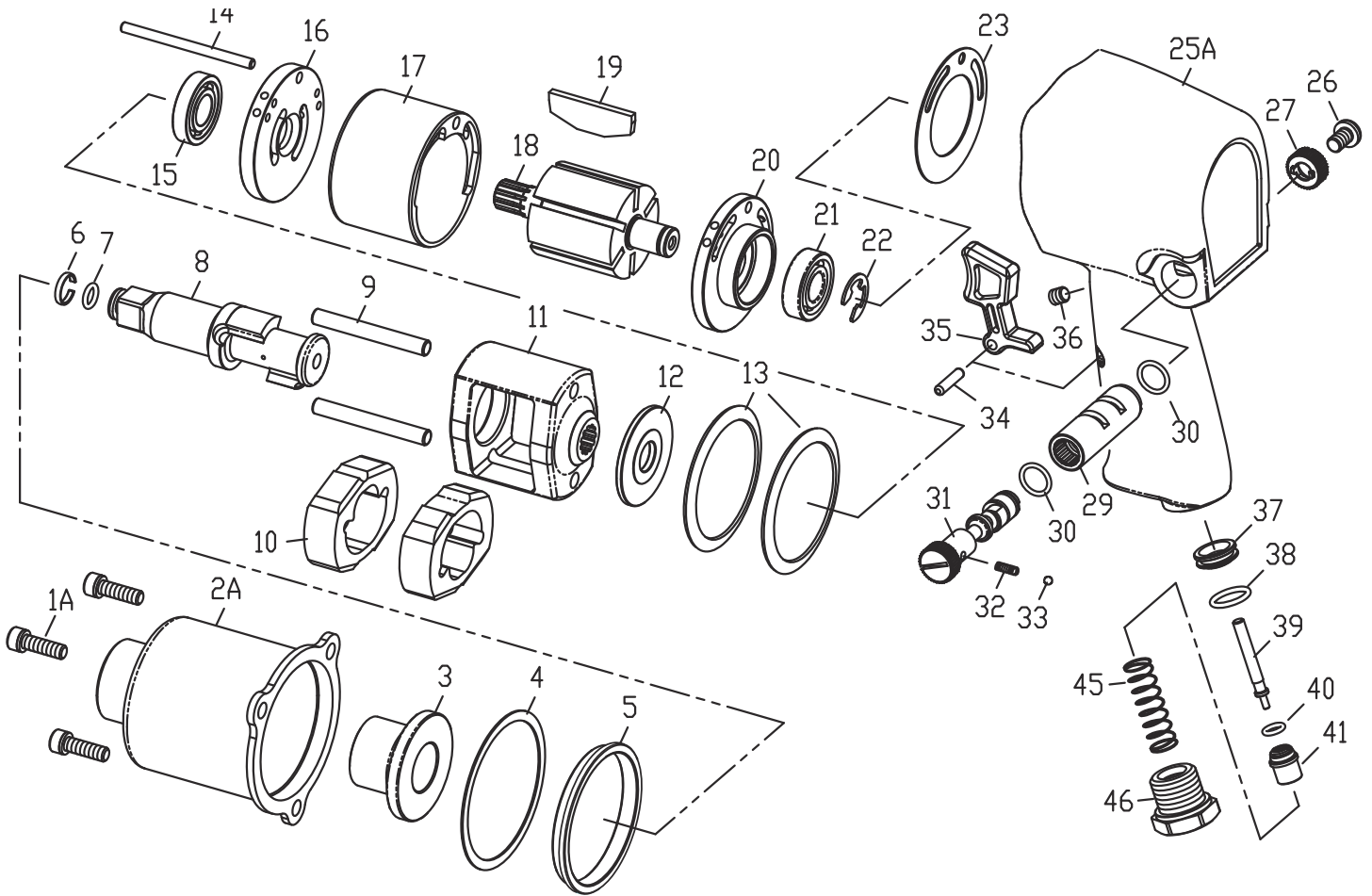


Technical Details	Speed RPM	Square Drive	Max. Torque Nm/ft-lb	Length mm/inch	Weight kg/lb	Air Consumption LPM / CFM	Air Inlet inch	Vibration m/s ²	Noise Level dB(A)	Working Pressure Bar / PSI
24214B 24214BL	8,000	1/2 (Standard) 1/2 (2" Long)	745 (550)	185(7.3) 235(9.2)	2.6(5.7) 2.7(5.9)	200(7.1)	1/4	5.5	96	6.3 (90)



* Due to our continuous improvement, all specifications are subject to change without prior notice.

Index No.	Description	Quantity	Index No.	Description	Quantity	Index No.	Description	Quantity
1A	Screw	3	15	Ball Bearing	1	31	Reverse Valve	1
2A	Clutch Housing	1	16	Front End Plate	1	32	Spring	1
3	Anvil Bushing	1	17	Cylinder	1	33	Steel Ball	1
4	Front Gasket	1	18	Rotor	1	34	Steel Pin	1
5	Clutch Housing Pilot	1	19	Rotor Balde	6	35	Trigger	1
6	Anvil Collar	1	20	Rear End Plate	1	36	Screw	1
7	O-Ring	1	21	Ball Bearing	1	37	Throttle Bushing	1
8	Anvil (24214B)	1	22	E-Ring	1	38	O-Ring	1
8A	2" Anvil (24214BL)	1	23	End Plate Gasket	1	39	Valve Tappet	1
9	Hammer Pin	2	25A	Motor Housing	1	40	O-Ring	1
10	Hammer Dog	2	26	Screw	1	41	Valve Stem Set	1
11	Hammer Cage	1	27	Reverse Valve Knob	1	45	Spring	1
12	Hammer Washer	1	28	Grease Fitting	1	46	Hose Fitting	1
13	Disc Spring	2	29	Valve Sleeve	1			
14	Cylinder Pin	1	30	O-Ring	2			

* Part #08 needs to be assembled with #06 & #07. (#06 & #07 can be purchased separately.)

* Part #02A needs to be assembled with #03. (#03 can be purchased separately.)